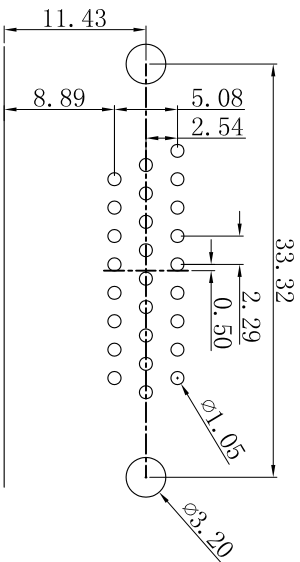
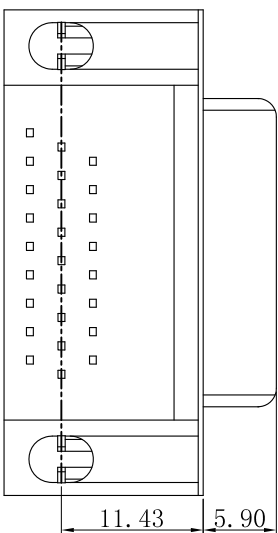
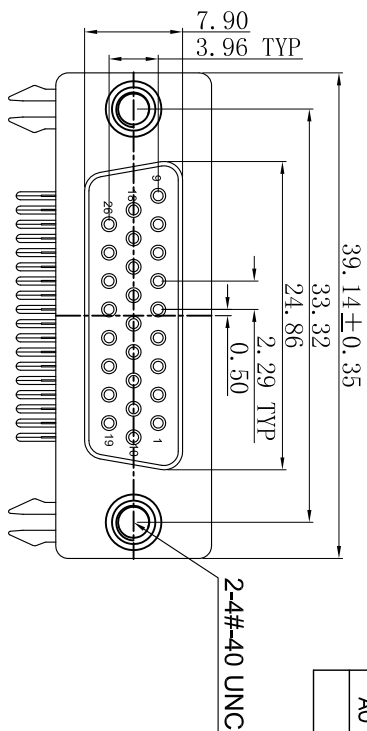
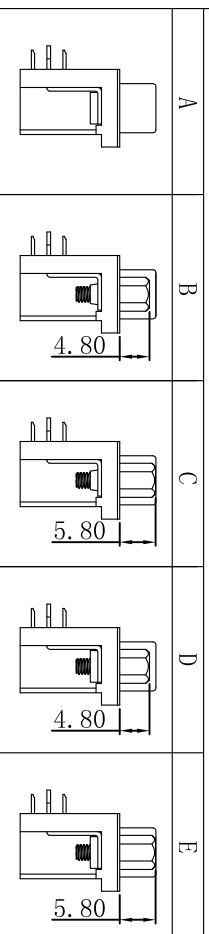


GP Component

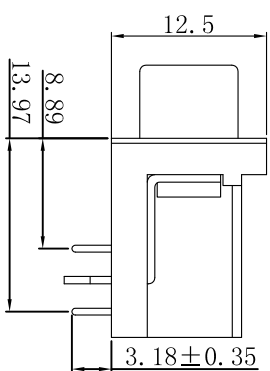


PCB layout

Specification Type (1:2)



REV.	ECN NO.	LOCATIONS	DESCRIPTION	DATE	DESIGN
A0			原始版本(INITIAL EDITION)	2021.01.05	m t



CHARACTERISTICS:

1. RATED VOLTAGE: 250V
2. RATED CURRENT: 3.0AMP
3. CONTACT RESISTANCE: 30mΩ Max.
4. INSULATION RESISTANCE: 1000 MΩ MIN. 500V DC
5. Electric Pressure: Keeping 60 second in AC 500V/1mA
6. Operating temperature: -55°C~105°C
7. INSERTION/EXTRACTION FORCE PER CONTACT: 5.84Kg Max 0.45Kg Min.

01.HDR826 F X XXX XX A XXX

PIN Poles	26:26PIN	M/F Differentiates	M=Male F=Female	Hsg Color	1=Black 3=Blue 2=White 4=Green 5=Yellow 6=Purple	Plating	G00:Gold flash G01:Gold 1U" G03:Gold 3U" Gxx:Gold XXU"	B00:Bright sn B01:Bright sn 1U" B03:Bright sn 3U" Bxx:Bright sn XXU"	M00:Matte sn M01:Matte sn 1U" M03:Matte sn 3U" Mxx:Matte sn XXU"
Water Code		Specification Type		Hsg Material	H1=PB1 HF H4=PA66 HF H5=LCF H6=PP1 H7=PA6T H8=PA6T H9=PA6T H10=PP1 H11=PA6T H12=PA6T H13=PA66 H14=PA66				

<p>东莞市跃展精密连接器有限公司 Dongguan YueZhan Precision Connectors Co., Ltd</p>	DESIGN:	2021.01.05	PART NAME:	HDR 26F系列图	
	CHECKED:	2021.01.05		PART NO.	01.HDR826FXXXXXXXXXX
APPROVED:		2021.01.05	DRAW NO.		
SCALE:1:1		SIZE:A4	SHEET NO.	01 OF 01	