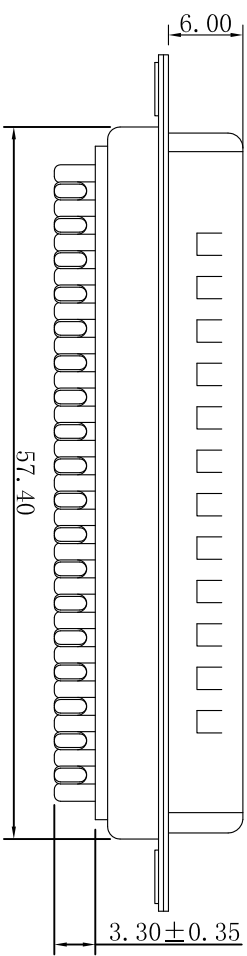
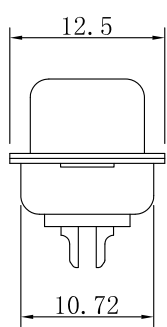
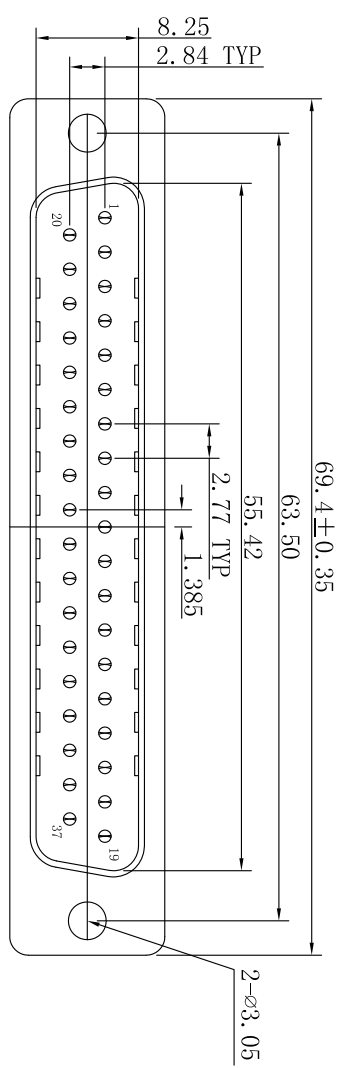
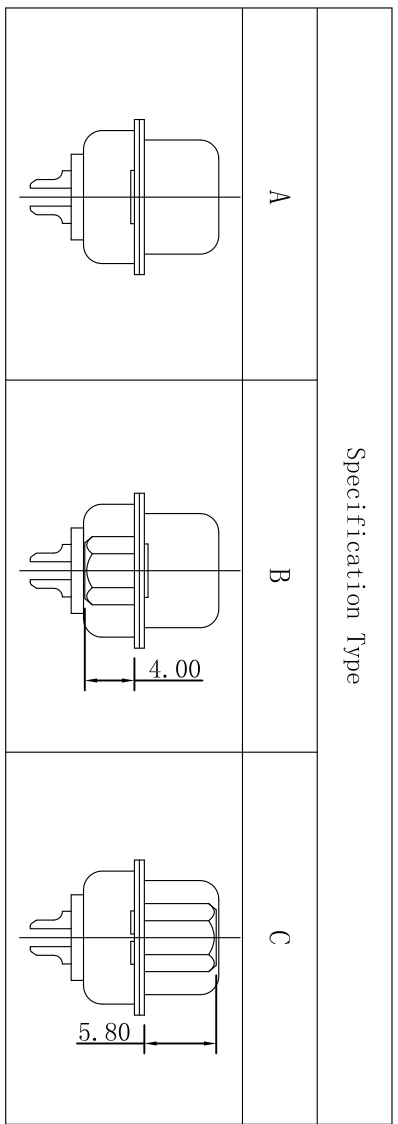


GP Component

REV.	ECN NO.	LOCATIONS	DESCRIPTION	DATE	DESIGN
AO			原始版本(INITIAL EDITION)	2020.12.01	m t



Specification Type



CHARACTERISTICS/特性:

1. RATED VOLTAGE: 250V AC CD
2. RATED CURRENT: 3.0AMP
3. CONTACT RESISTANCE: 30mΩ Max.
4. INSULATION RESISTANCE: 1000 MΩ MIN. 500V DC
5. Electric Pressure: Keeping 60 second in AC 500V/1mA
6. Operating temperature: -55°C~105°C
7. INSERTION/EXTRACTION FORCE PER CONTACT: 12.5Kg Max
1.1Kg Min.

01.DB0037 M X XXX XX A XXX

PIN Poles	37:37PIN	Water Code	
M/F Differentiates	M=Male F=Female	Specification Type	
Hsg Color	1=Black 3=Blue 5=Yellow 2=White 4=Green 6=Purple	Hsg Material	H1=PB1 HF H2=PA6T HF H3=PA9T HF H4=PA66 HF H5=LCF 10=PB1 11=PA6T 13=PA66 12=PA9T
Plating	G00:Gold flash G01:Gold 1U" G03:Gold 3U" Gxx:Gold XXU"	M00:Matte sn M01:Matte sn 1U" M03:Matte sn 3U" Mxx:Matte sn XXU"	

UNTP: mm [inch]		DESIGN: 2020.12.01		PART NAME: DB 37M系列图	
		CHECKED: 2020.12.01		PART NO.: 01.DB0037MXXXXXXXXXX	
TOLERANCE: X.X ±0.35 X.XX ±0.25 X.XXX ±0.15 Angle ±3.0°		APPROVED: 2020.12.01		SHEET NO.: 01 OF 01	
SCALE:1:1 SIZE:A4		东莞市跃展精密连接器有限公司 Dongguan YueZhan Precision Connectors Co.,Ltd			