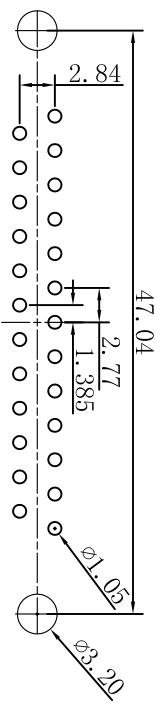
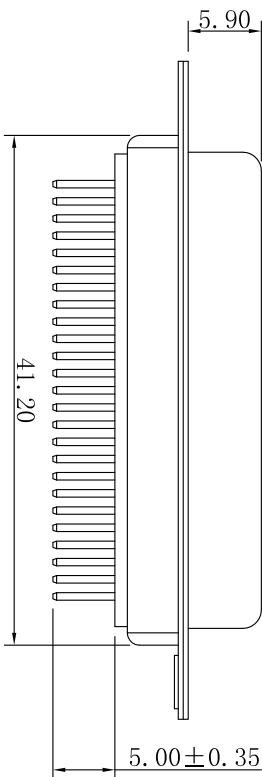
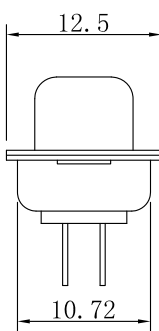
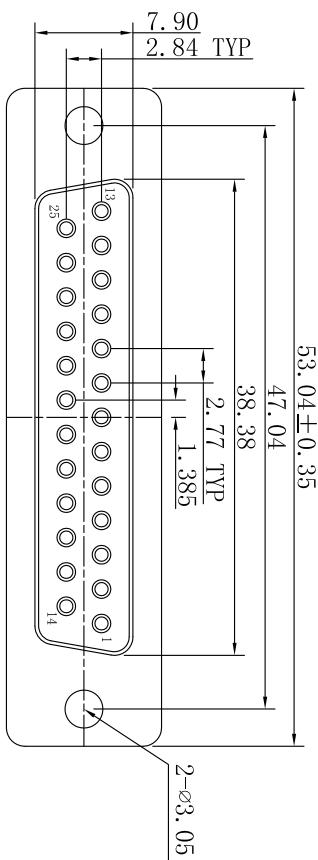


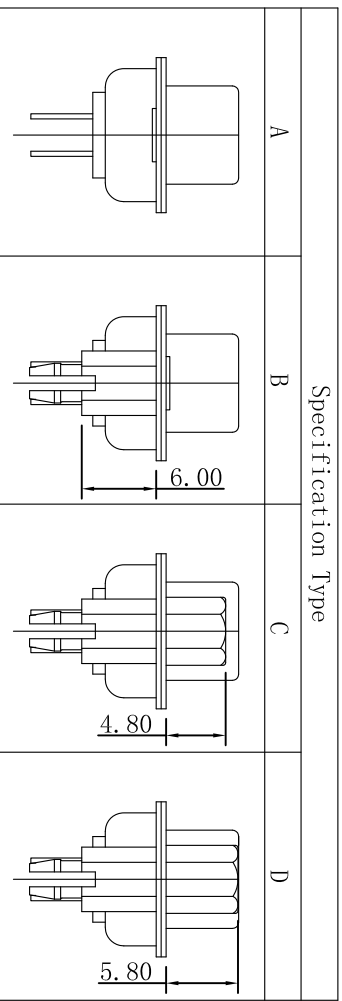
# GP Component

REV.	ECN NO.	LOCATIONS	DESCRIPTION	DATE	DESIGN
A0			原始版本(INITIAL EDITION)	2020.12.10	m t



PCB layout

Specification Type



### CHARACTERISTICS:

- 1、 RATED VOLTAGE: 250V AC CD
- 2、 RATED CURRENT: 3.0AMP
- 3、 CONTACT RESISTANCE: 30mΩ Max.
- 4、 INSULATION RESISTANCE: 1000 MΩ MIN. 500V DC
- 5、 Electric Pressure: Keeping 60 second in AC 500V/1mA
- 6、 Operating temperature: -55℃~105℃
- 7、 INSERTION/EXTRACTION FORCE PER CONTACT: 8.5Kg Max 0.75Kg Min.

01.DP0025 F X XXX XX A XXX

PIN Poles	25:25PIN	M/F Differentiates	M=Male F=Female	Hsg Color	1=Black 3=Blue 2=White 4=Green 5=Yellow 6=Purple	Plating	G00:Gold flash G01:Gold 1U" G03:Gold 3U" Gxx:Gold XXU"	B00:Braight sn B01:Braight sn 1U" B03:Braight sn 3U" Bxx:Braight sn XXU"	M00:Matte sn M01:Matte sn 1U" M03:Matte sn 3U" Mxx:Matte sn XXU"
Water Code		Specification Type		Hsg Material	H1=PB1 HF H4=PA66 HF 10=PB1 13=PA66				

<p>东莞市跃展精密连接器有限公司 Dongguan YueZhan Precision Connectors Co.,Ltd</p>	UNITS: mm [inch]	DESIGN: 2020.12.10	PART NAME: DP 25F系列图
	TOLERANCE: X.X ±0.35 X.XX ±0.25 X.XXX ±0.15 Angle ±3.0°	CHECKED: 2020.12.10	PART NO. 01.DP0025FXXXXXXXXXX
	SCALE:1:1 SIZE:A4	APPROVED: 2020.12.10	DRAW NO.
			SHEET NO. 01 OF 01